

**Körperschalllautsprecher EXT-1916A04**

Art. Nr. 105025

**Specification:**

| <b>NO</b> | <b>ITEM</b>                    | <b>SPECIFICATION</b>  |
|-----------|--------------------------------|---|
| 1         | Mechanical Layout & Dimensions | Shown in the Exciter-02.Drw   |
| 2         | Nominal Impedance              | 8 $\Omega \pm 15\%$ at 1KHZ,1.0V (D.C.R=7.2 $\Omega \pm 10\%$ )                                     |
| 3         | Input Power                    | Nom. Input 2W   |
|           |                                | Max. Input 4W   |
| 4         | Operation                      | 2.83Volt (200Hz-20KHz) Sweep Time at 2s   |
| 5         | Resonant FerQ. F0              | 420 $\pm$ 20% HZ (F0 Meter)   |
| 6         | Flux Density                   | 8230 GAUSS $\pm$ 10%  |
| 7         | Insulation Resistance          | No Less than 1M at DC 100V  |
| 8         | Polarity                       | When positive voltage is applied to the (+) Terminal, Voice Coil should move out to of the Air gap. |
| 9.        | Weight                         | 14g $\pm$ 10% (Driver weight)   |
| 10        | Power Test                     | IEC 268-5 4V 48 Hours   |
| 11        | Heat Resistance                | Temperature: +60 $^{\circ}$ C $\pm$ 2 $^{\circ}$ C  |
|           |                                | Duration: 24 hours  |
| 12        | Humidity Resistance            | Temperature: + 40 $^{\circ}$ C $\pm$ 2 $^{\circ}$ C   |
|           |                                | Relative Humidity: 93(+2/-3)%   |
|           |                                | Duration: 48 Hours(GB)  |
| 13        | Low Resistance                 | Temperature: -10 $^{\circ}$ C $\pm$ 3 $^{\circ}$ C testing 1 Hours (GB)                             |
|           |                                | And then -20 $^{\circ}$ C $\pm$ 3 $^{\circ}$ C testing 2 Hours(GB)                                  |
| 14        | Dropping Test                  | 600 $\pm$ 25mm 60 $^{\circ}$ $\pm$ 5 $^{\circ}$ (GB)  |
|           |                                |   |
|           |                                |   |

**Körperschalllautsprecher EXT-1916A04**

Art. Nr. 105025

**Sample Testing Report:**

| NO | ITEM                | TESTING CONDITIONS  | No1  | No2  | No3 | No4 | Result |
|----|---------------------|---|------|------|-----|-----|--------|
| 1  | Speaker Size        | Out Diameter : $\Phi 33 \pm 0.3 \text{mm}$  | 33   | 33   | /   | /   | OK     |
| 2  | Impedance           | $8 \Omega \pm 15 \%$ At 1KHZ,1.0V<br>(D.C.R: $7.2 \Omega \pm 10\%$ )  | 7.2  | 7.2  | /   | /   | OK     |
| 3  | Resonance Frequency | $420 \text{Hz} \pm 20\%$<br>(F0 Meter)  | 420  | 420  | /   | /   | OK     |
| 4  | Buzz & Rattle Test  | Must Be Normal: Wave 2.83V<br>(Form 200Hz To 20KHz )  | √    | √    | /   | /   | OK     |
| 5  | Polarity            | When a positive D.C voltage is applied<br>To the voice coil terminal marked to<br>Diaphragm should move to the front                                | √    | √    | /   | /   | OK     |
| 6  | Flux Density        | $8230 \text{GAUSS} \pm 10\%$  | 8230 | 8230 | /   | /   | OK     |
| 7  | Power Test          | IEC 268-5 4V 48 Hours   | √    | √    | /   | /   | OK     |
| 8  | Heat Resistance     | Temperature: $+60^\circ \text{C} \pm 2^\circ \text{C}$<br>Duration: 24 Hours  | √    | √    | /   | /   | OK     |
| 9. | Humidity Resistance | Temperature: $+40^\circ \text{C} \pm 2^\circ \text{C}$<br>Relative Humidity: $93(+2/-3)\%$<br>Duration: 48 Hours(GB)                                | √    | √    | /   | /   | OK     |
| 10 | Low Temperature     | Temperature: $-10^\circ \text{C} \pm 3^\circ \text{C}$ testing 1 Hours<br>And then $-20^\circ \text{C} \pm 3^\circ \text{C}$ testing 2<br>Hours(GB) | √    | √    | /   | /   | OK     |
| 11 | Dropping Test       | $600 \text{mm} \pm 25 \text{mm}$ $60^\circ \pm 5^\circ$ (GB)  | √    | √    | /   | /   | OK     |
|    |                     |   |      |      |     |     |        |

**Körperschalllautsprecher EXT-1916A04**

Art. Nr. 105025

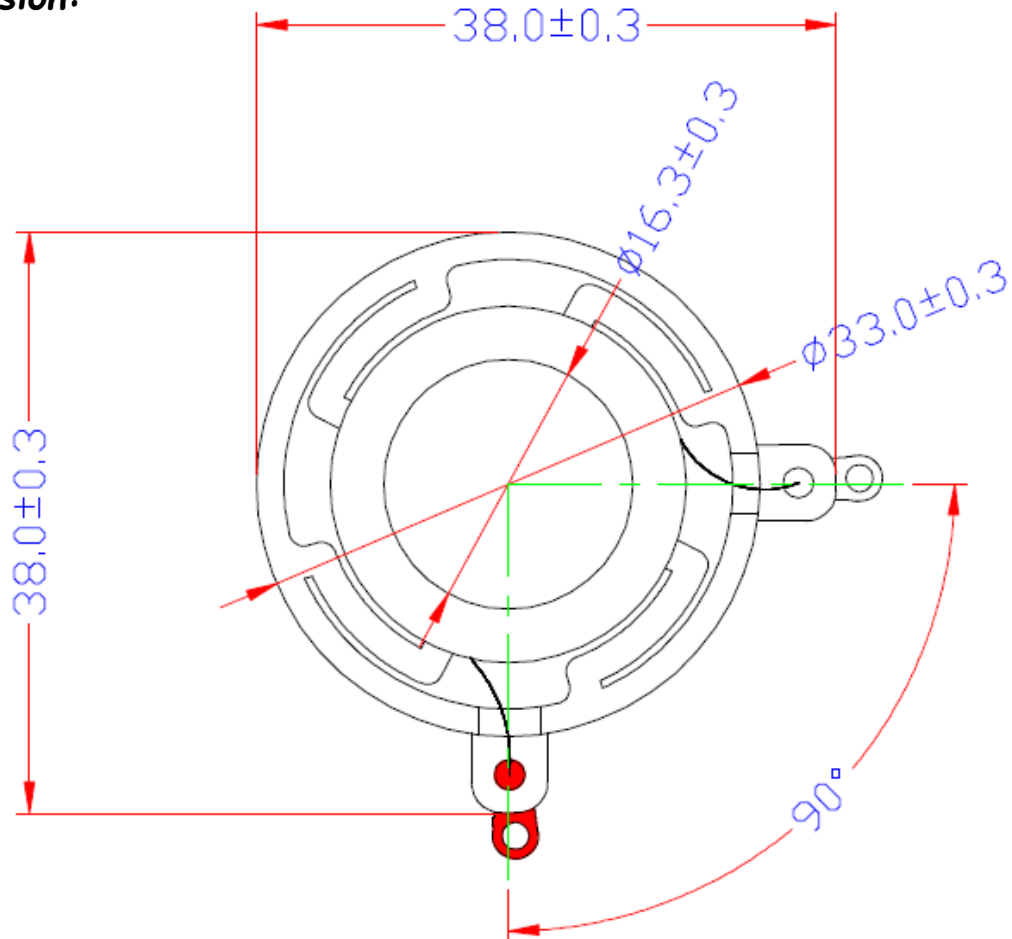
**RoHS Substance Confirmation Form:**

| NO | SUPPLY ITEM |          | RoHS Substance Inspection Result |      |      |          |      |      | Survey Report No<br>( 6 Material ) |
|----|-------------|----------|----------------------------------|------|------|----------|------|------|------------------------------------|
|    |             |          | Cd                               | Pb   | Hg   | Cr6+     | PBB  | PBDE |                                    |
|    | Item        | Material | 100                              | 1000 | 1000 | 1000     | 1000 | 1000 | Ppm                                |
| 1  | 磁铁          | N35      | ND                               | ND   | ND   | Negative | ND   | ND   | ECL01I001310004C                   |
|    |             |          | OK                               | OK   | OK   | OK       | OK   | OK   | 2016/01/12                         |
| 2  | U 铁         | Fe       | ND                               | ND   | ND   | Negative | NA   | NA   | CANEC1504032002                    |
|    |             |          | OK                               | OK   | OK   | OK       | NA   | NA   | 2015/03/27                         |
| 3  | 华司          | Fe       | ND                               | ND   | ND   | ND       | ND   | ND   | SCL01H014051001C                   |
|    |             |          | OK                               | OK   | OK   | OK       | OK   | OK   | 2015/03/10                         |
| 4  | 音圈          | KSV      | ND                               | ND   | ND   | ND       | ND   | ND   | KA/2015/91132                      |
|    |             |          | OK                               | OK   | OK   | OK       | OK   | OK   | 2015/09/25                         |
| 5  | 弹波          | /        | ND                               | ND   | ND   | ND       | ND   | ND   | CEL01I002880001                    |
|    |             |          | OK                               | OK   | OK   | OK       | OK   | OK   | 2016/01/18                         |
| 6  | 端子          | /        | ND                               | ND   | ND   | Negative | ND   | ND   | CANEC150048631                     |
|    |             |          | OK                               | OK   | OK   | OK       | OK   | OK   | 2015/01/15                         |
| 7  | 介子          | PC       | ND                               | ND   | ND   | ND       | ND   | ND   | KA/2010/C1777                      |
|    |             |          | OK                               | OK   | OK   | OK       | OK   | OK   | 2011/01/06                         |
| 8  | 胶水          | /        | ND                               | ND   | ND   | ND       | ND   | ND   | CE/2015/32663B                     |
|    |             |          | OK                               | OK   | OK   | OK       | OK   | OK   | 2015/03/17                         |
|    |             |          |                                  |      |      |          |      |      |                                    |
|    |             |          |                                  |      |      |          |      |      |                                    |

**Körperschalllautsprecher EXT-1916A04**

Art. Nr. 105025

**Dimension:**



**Dimension:**

